

EN



Attention!

Adult assembly required.

WARNING!

- Age: 4+ years. Maximum weight for the scooter : 50kg.
- Protective equipment should be worn. Not to be used in traffic or on public highway.

- This toy should be used with caution, since skill is required to avoid falls or collisions that may cause injury to the user or others.

NOTE: The screw on the height adjustment clamp on the handlebar stem must not be taken out. This screw is to align the handlebars with the front wheel. If you lose this screw, contact your local store.

Do not use until the screw has been replaced.

Scooter Brake (Fig.3)

To stop, place foot on rear brake as shown.

Change Wheels:

- To change the wheels, loosen the axle fitting with two Allen keys and remove the wheels from the axle. (Included)
- Allen key can be used to push the bearings out of the wheels in order to use them again in the new wheels.
- Put the bearings into the new wheels with the spacer sleeve and mount them to the frame with the axle screws.
- Make sure that the axle has been screwed on tightly before riding.

Bearings

- Your scooter is equipped with precision ball bearings which were filled with lubrication at high pressure during manufacture.
- The bearings are maintenance free. If they should fail, they should be completely replaced.

Caution!

Check all clamping devices for tightness and foot brake before riding, otherwise the self-locking nuts and other self-locking fixings may lose their effectiveness.

Warning!

- Save this manual for future reference.
- The scooter must be used on surfaces that are flat, clean and dry.
- The scooter must be used away from other road-users.
- To avoid serious injury always wear protective equipment (helmet, elbow guards, knee pads, wrist protectors and gloves).
- Make regular checks of the steering system. Also ensure that all joints and connections are firmly tightened. Check regularly to ensure there are no breaks or cracks anywhere in the scooter.
- Always wear shoes when riding the scooter.
- Scooter must not be used at night.
- Important! Do not touch the braking system after use: risk of burns.
- Do not use the scooter to jump over other objects.
- Do not remove or tamper with the braking system.
- Do not use in wet weather.
- Keep both hands on the handlebars.
- Regular maintenance of your scooter assists with safety.
- Do not make any modification that is not mentioned in the instructions.
- Important! The self-locking bolts and other self-locking parts may lose their efficiency.
- Oil the wheel bearings and joints regularly.
- Remove any sharp projections that may be caused during use.
- Do not use solvents.
- Do not put away when still wet.
- Store in a dry, dust-free place.
- Use of the scooter requires great skill, so as to avoid falls or collisions causing injury to the user and third parties.
- Do not use the scooter on public highways, it is dangerous.

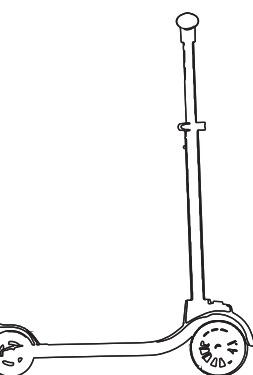
Warning:

Read the information supplied by the manufacturer. No modification other than to the manufacturer's instruction shall be made.



Care

CLEAN WITH A DAMP SOFT CLOTH.
DO NOT USE SOLVENTS OR BLEACH FOR CLEANING.



Ride-Ezy

ADJUSTABLE KICK THREE WHEEL SCOOTER

Distributed by Ride-Ezy
Global Opportunities
Unit 23 Link Business Centre
Malvern
WR14 1UQ

Aftersales support
support@globalopportunities.co.uk

Ride-Ezy

ADJUSTABLE KICK THREE WHEEL SCOOTER

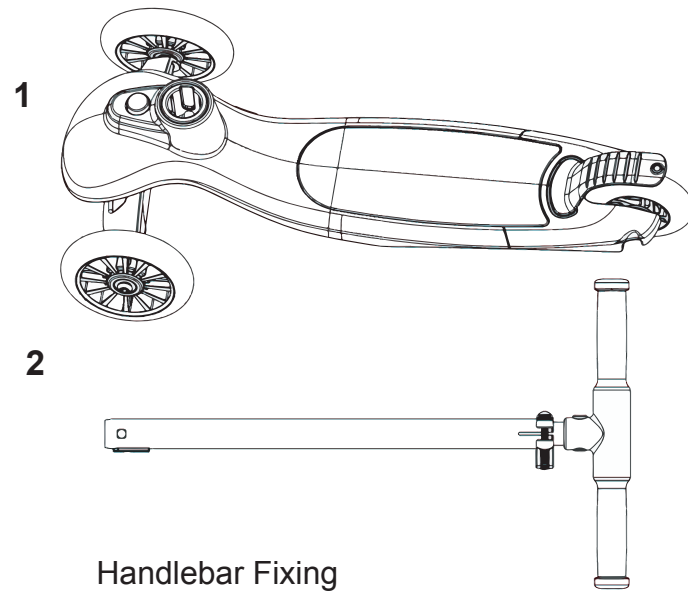


PLEASE READ THIS MANUAL BEFORE USE

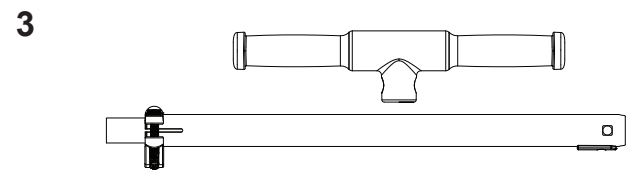


PARTS LIST

- 1 Footplate
- 2 Handlebar
- 3 Handlebar Stem



Handlebar Fixing



- Handlebar fixing M6 nut 1pc
- Handlebar M5 Screw 1pc
- 4mm Allen Key 2 pcs
- 5mm Allen Key 1 pcs



Age
4+yrs

50kg Max
110lbs Max

1 Scooter Assembly

Attach the scooter handlebars onto handlebar tube using the M5 screw and 6mm nut provided.

- (1) Insert the tube of the handlebar part unit into the hole in the front area of the footplate until it clicks into the locked position as shown in fig.1
- (2) To remove the handlebar press the release button on the top of the footplate (3) and remove the handlebar by sliding it upwards as shown in fig.2

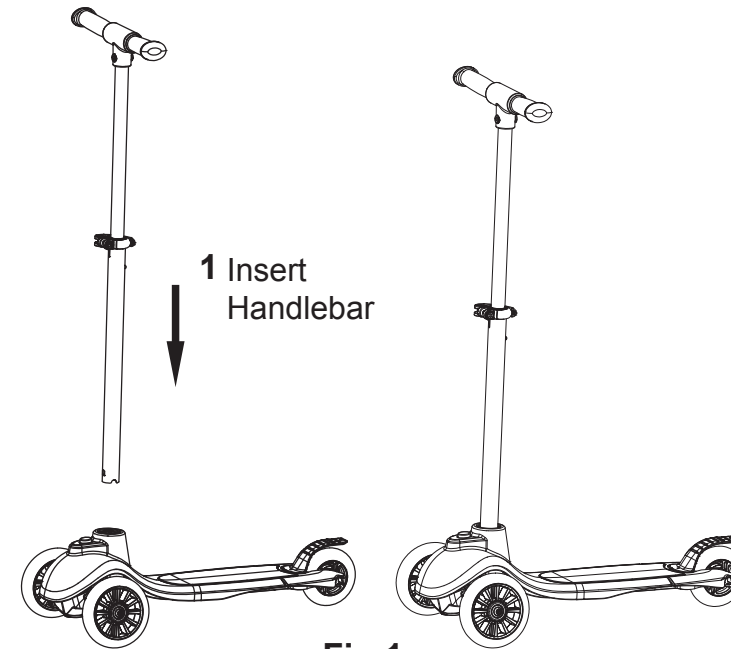


Fig.1

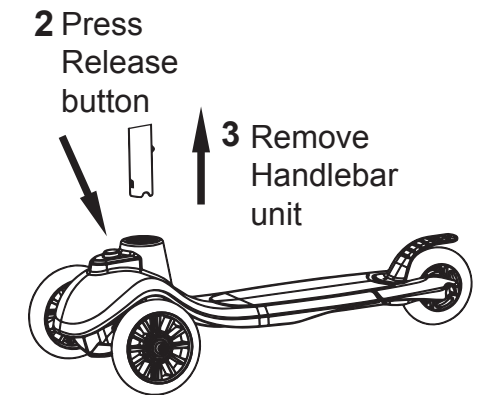


Fig.2

Locking/ Unlocking of steering mechanism

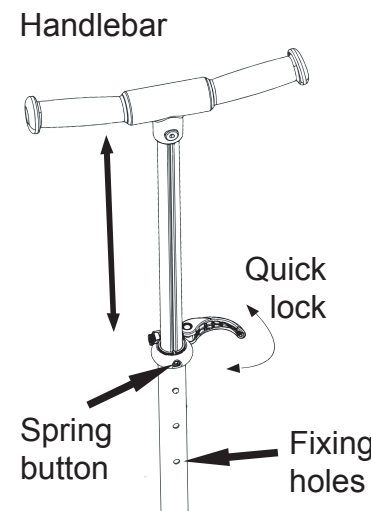
To assist the beginner rider, the steering mechanism can be locked, preventing the scooter from turning.

To lock press the lock button down and slide forward where it clips in position.

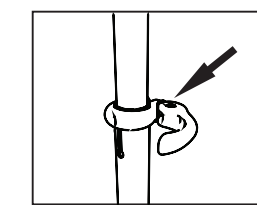
To unlock press the lock button down again and slide the button backwards where it clips in position.



Adjusting the handlebar



- (1) To adjust the height of the handlebar simply loosen the quick lock. (2) Press the spring button in and raise or lower the handlebar to the desired height. The button must pop into the fixing hole.



Alignment Screw

WARNING! The alignment screw on the handlebar quick lock **MUST NOT** be removed. This screw aligns the handlebar to the front wheel.

Braking the scooter

Step on the rear-brake pedal to brake.

Fig.3

